

4

3

2

1

THIS DRAWING IS UNPUBLISHED.

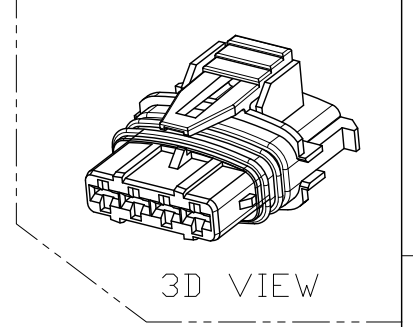
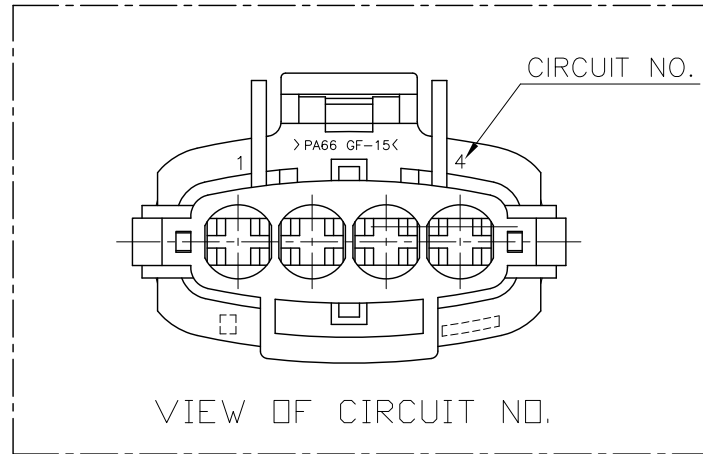
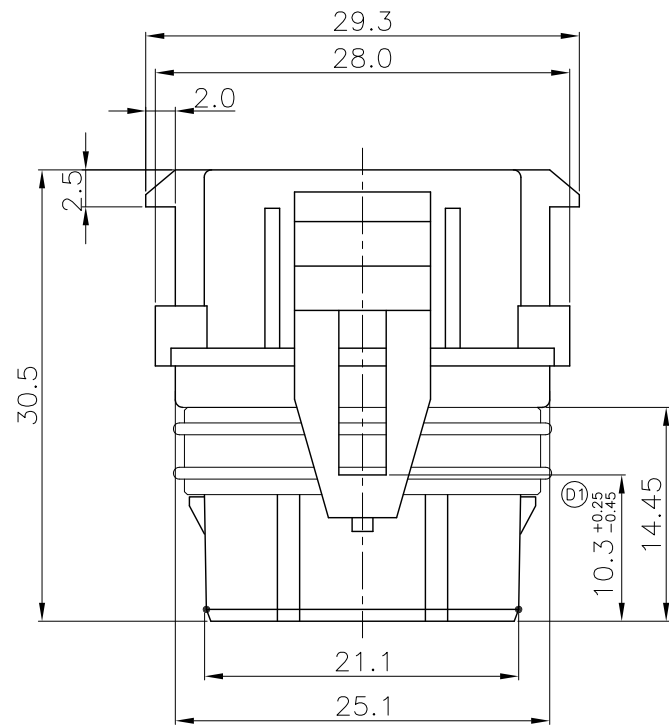
RELEASED FOR PUBLICATION

© COPYRIGHT BY TYCO ELECTRONICS CORPORATION, ALL RIGHTS RESERVED.

LOC	DIST
DS	-

REVISIONS

P	LTR	DESCRIPTION	DATE	DWN	APVD
D1		REVISED (ECR-10-017976)	31.AUG.'10	SJ	HG
E		REVISED (ECR-12-008648)	02.JAN.'13	JM	HG



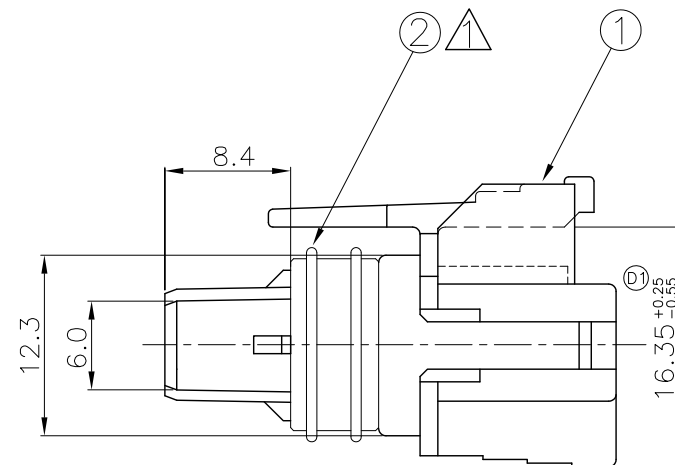
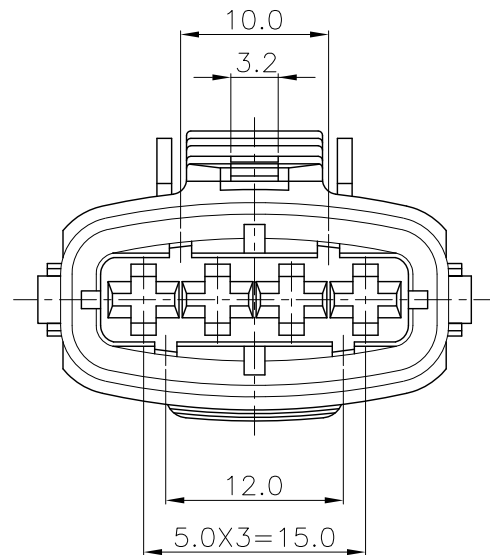
NOTES

1. RUBBER SEAL CONDITION

COLOR	P/N	HARDNESS	OIL CONTAINS
ORANGE	368840-1	40° ± 5°	3%
BLUE	368840-2	40° ± 5°	3%

2. APPLICABLE CONTACT P/N

TML	P/N	DESCRIPTION	WIRE SIZE
	929941	JPT CONTACT	0.3mm ²
	929939	JPT CONTACT	0.5-1.0mm ²
	929937	JPT CONTACT	1.0-2.5mm ²
	927772-3	JPT CONTACT	0.3mm ²
	927770-3	JPT CONTACT	0.5-1.0mm ²
	927766-3	JPT CONTACT	1.0-2.5mm ²

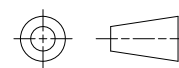


No.	COLOR	MATERIAL	DESCRIPTION	P/N	QT'Y
②	BLUE	SILICONE(LSR)	RUBBER SEAL	368840-2	1
	ORANGE	SILICONE(LSR)	RUBBER SEAL	368840-1	1
①	BLACK	PA66 + GF15%	JPT 4P HSG	368130-1	1 1

ASSY P/N	DESCRIPTION
368162-2	JPT 4P CONNR ASS'Y FOR MAP SENSOR
368162-1	JPT 4P CONNR ASS'Y FOR MAP SENSOR

THIS DRAWING IS A CONTROLLED DOCUMENT FOR TYCO ELECTRONICS CORPORATION IT IS SUBJECT TO CHANGE AND THE CONTROLLING ENGINEERING ORGANIZATION SHOULD BE CONTACTED FOR THE LATEST REVISION.

DIMENSIONS: MM



MATERIAL SEE TABLE

TOLERANCES UNLESS OTHERWISE SPECIFIED:

0 <XX<10 ± 0.2

10<XX<30 ± 0.25

30<XX ± 0.3

ANGLES ± 3°

FINISH

DWN JM JEON

CHK JW JUNG

APVD HG CHD

PRODUCT SPEC 108-61025

APPLICATION SPEC 114-18018

WEIGHT 4.95g

CUSTOMER DRAWING



NAME JPT 4P CONNECTOR ASS'Y FOR MAP SENSOR

SIZE A3 CAGE CODE 00779 C=368162 DRAWING NO RESTRICTED TO

SCALE 2/1 SHEET 1 OF 1 REV E